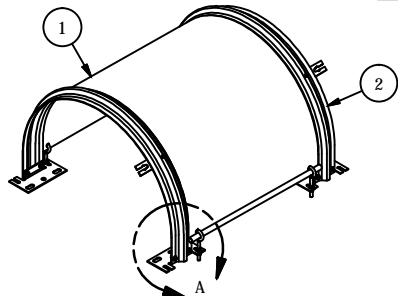
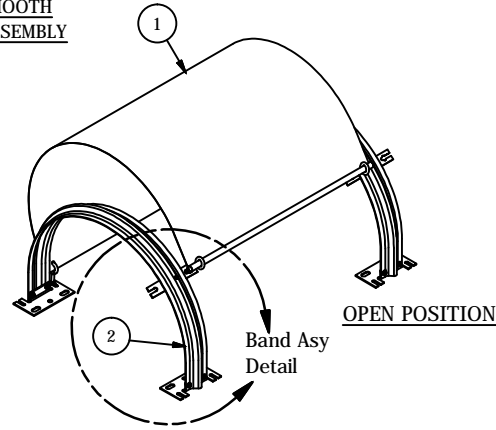


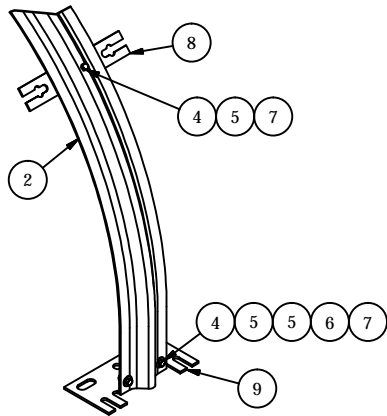
FULL SMOOTH COVER ASSEMBLY



CLOSED POSITION



OPEN POSITION

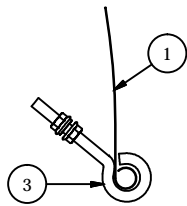


BAND ASSEMBLY

Cover not shown for clarity

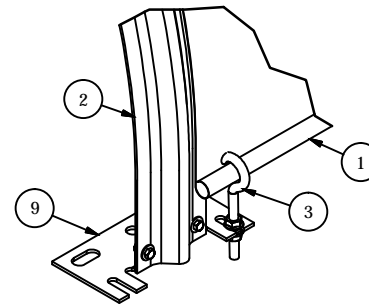
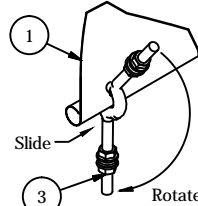
EYEBOLT INSTALLATION Step 1

Slip eyebolt loop over cover end roll.

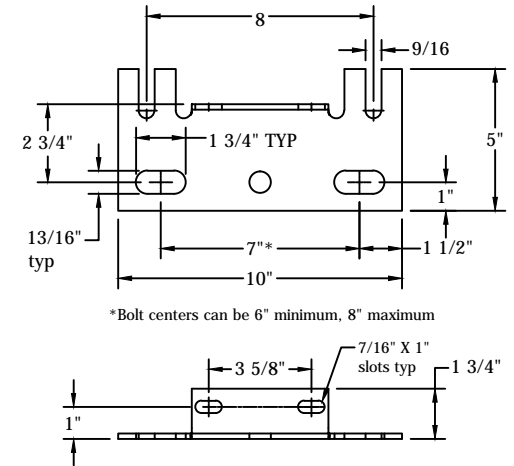


EYEBOLT INSTALLATION Step 2

Slide eyebolt down to hole and rotate into position.



DETAIL A COVER ATTACHMENT



FOOT BRACKET DETAIL  
Material: 8ga galvanized steel

# CH-SERIES FULL SMOOTH COVERS

(All Dimensions are standard. Other options for band spacing, cover length are available upon request)

Item	Part Number	Description	Per Cover	Per Band
1	CH_GC__	Cover, Full Smooth, Galvanized G-90, standard 22 ga	0	
2	CH_GB__	Support Band, Galv G-90, std 12ga for BW<42", 10ga ≤ BW42"		0
3	12-6EBS-ZN	Eye bolt set, 1/2"-13 x 6", w/2 flanged hex nuts & 1 lock washer	4	
4	516-1HB-ZN	Bolt, hex head, 5/16"-18 x 1"		5
5	516LW-ZN	Washer, flat, 5/16"		9
6	516FW-ZN	Washer, lock, 5/16"		4
7	516HN-ZN	Nut, hex, 5/16-18		5
8	RB-G	Retaining/Inspection bar, 7 ga galvanized		1
9	FB-G	Foot bracket/Base Bracket, 8 ga galvanized		2

Note: All standard hardware is grade 2, zinc plated. Hot dipped galvanized and stainless steel are options.

INSTALLATION PROCEDURE

1. Bolt foot brackets [9] and retaining bar [8] to support band [2], using 5/16" hardware [4-7].
2. Locate support band on conveyor frame at desired spacing.
3. Drill 11/16" dia. holes on 7" centers in conveyor frame to match foot brackets. Foot bracket slots are 13/16" x 1-3/4" to allow for minor adjustments.
4. Bolt bands to conveyor with retaining bar on desired side. This 5/8" hardware is normally not furnished by RPS, but is available as an option.
5. Position cover [1] over support bands, and attach to foot brackets with 1/2" eyebolts [3]. See Eyebolt Installation Details and Cover Attachment Detail.
6. Make sure bands are perpendicular to conveyor support. Tighten all hardware.



**Engineering Inc.**

1300 CRISPIN DRIVE  
ELGIN, IL 60123  
(800) 931-1950  
FAX (847) 931-4274



Email: [coversales@rpsengineering.com](mailto:coversales@rpsengineering.com)  
[www.rpsengineering.com](http://www.rpsengineering.com)