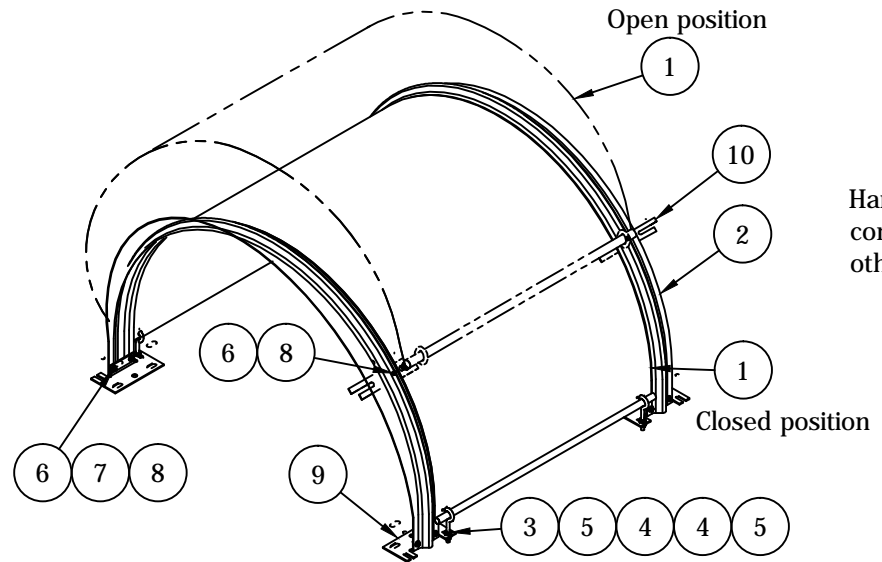


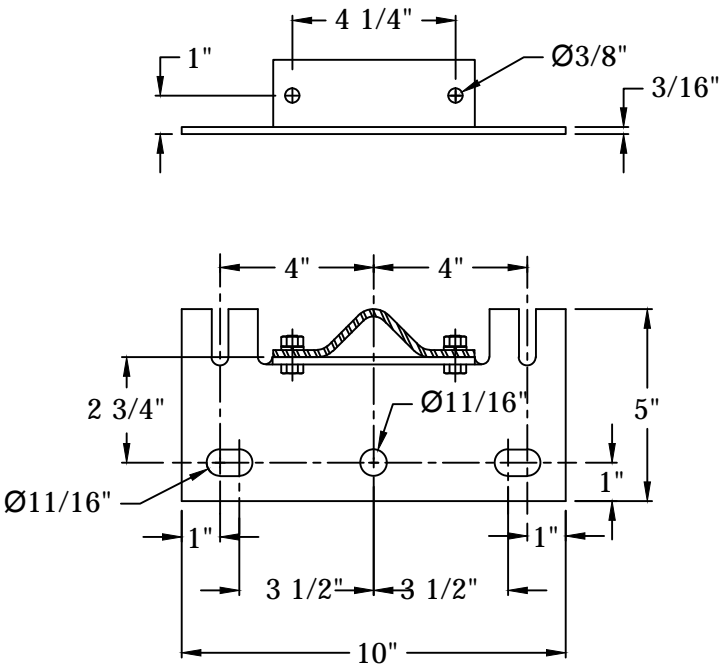
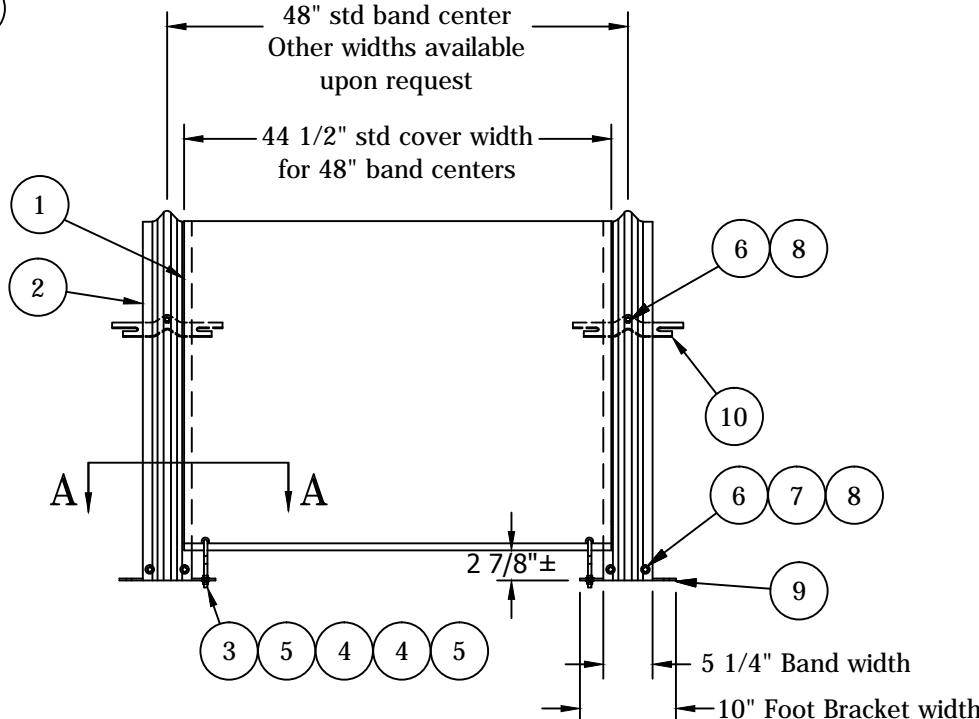
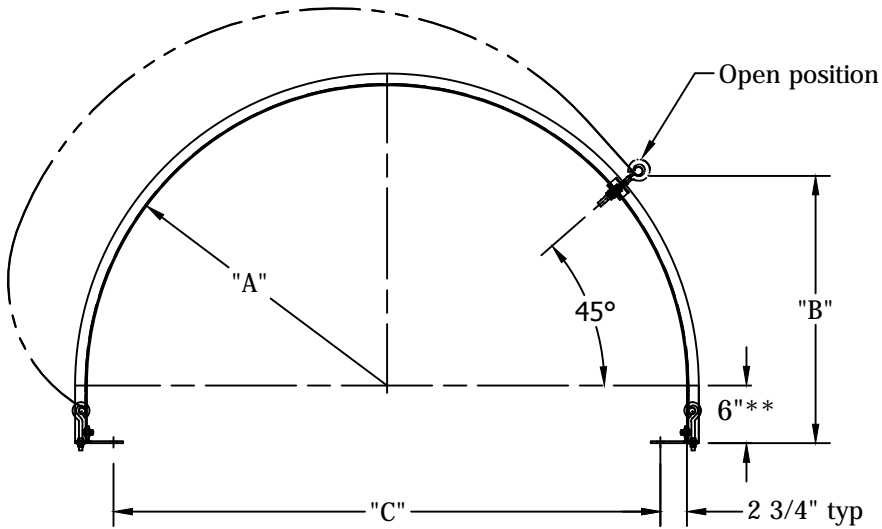
MA1-CH-SERIES FULL SMOOTH COVERS

Item	Part Number	Description	Per Cover	Per Band
1	MA1-CH**GC40	Cover, Full Smooth	0	
2	MA1-CH**GB	Support Band		0
3	MA1-38-5EB-ZN BO	Eye bolt, 3/8"-16 x 5", Bent Open	4	
4	38FW-ZN	Flat washer, 3/8"	8	
5	38HN-ZN	Hex Nut, 3/8"-16	8	
6	516HHB-ZN	Bolt, Hex Head, 5/16"-18 x 1"		5
7	516FW-ZN	Flat Washer, 5/16"		4
8	516HN-ZN	Hex Nut, 5/16-18		5
9	MA1-FB-HDG A1A60	Foot bracket, 3/16" Hot Dip Galv		2
10	MA1-RB-HDG	Retaining/Inspection bar, 3/16" Hot Dip Galv		1

Note: All hardware is zinc plated.
Wing Nuts for Eyebolts can be supplied for an additional cost.



Hardware to mount foot brackets to conveyor is normally provided by other, but is available as an option.



Section A-A
Item 9 FOOT BRACKET DETAIL
Cover & Eyebolt not shown

SPECIFICATIONS

ASSEMBLY NO.	BELT WIDTH	"A"	"B"	"C"	WT in LB
MA1-CH18GA40	18"	16-1/4"	19-1/2"	27"	48.7
MA1-CH20GA40	20"	17-1/4"	20-1/4"	29"	50.6
MA1-CH24GA40	24"	19-1/4"	21-5/8"	33"	54.6
MA1-CH30GA40	30"	22-1/4"	23-3/4"	39"	60.4
MA1-CH36GA40	36"	25-1/4"	25-7/8"	45"	66.3
MA1-CH42GA40	42"	28-1/4"	28"	51"	77.5
MA1-CH48GA40	48"	31-1/4"	30-1/8"	57"	83.9
MA1-CH54GA40	54"	34-1/4"	32-1/4"	63"	90.2
MA1-CH60GA40	60"	37-1/4"	34-3/8"	69"	96.6
MA1-CH72GA40	72"	43-1/4"	40-5/8"	81"	109.4

** 6" is standard tangent for MA1 series.

Material:
Standard MA1-CH covers are 22 ga G90 galvanized steel. Bands are G90, 12 ga for belt widths up less than 42", 10 ga for belt widths 42" and up.

DESIGN NOTE
Standard MA1-CH Series Covers are designed for conveyor frames with outside dimensions of belt width +12". Eye bolts may hit conveyor structure when top cords are "T" or "W" structural shapes. This should be verified before ordering. Special brackets are available for these circumstances.

RPS Engineering, Inc. reserves the right to alter designs of its conveyor cover without notice unless certified drawings are supplied.



Engineering Inc.

1300 CRISPIN DRIVE
ELGIN, IL 60123
(800) 931-1950
FAX (847) 931-4274

Email: coversales@rpsengineering.com
www.rpsengineering.com