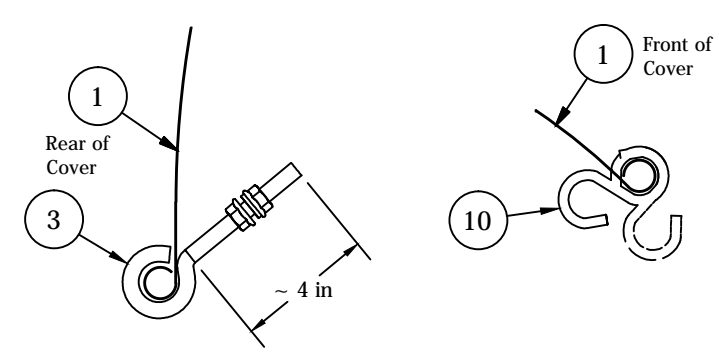


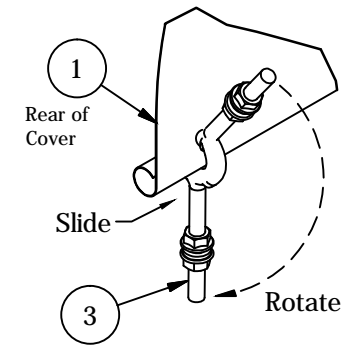
Item	Part #	Description	Per Cover	Per Band
1	CH75**GC40	Cover, 3/4 smooth, 135° coverage, Galv G90	0	
2	CH**GB	Support Band, Galvanized G90		0
3	12-6EBS-ZN	Eye Bolt Set, 1/2"-13 x 6", w/2 flanged hex nuts & 1 lock washer, zinc plt	2	
4	516-1HHB-ZN	Bolt, Hex head, 5/16"-18 x 1", zinc plate		5
5	516FW-ZN	Flat Washer, 5/16", zinc plate		9
6	516LW-ZN	Lock Washer, 5/16", zinc plate		4
7	516HN-ZN	Nut, Hex, 5/16-18, zinc plate		5
8	RB-G	Retaining/Inspection Bar, Galvanized		1
9	FB-G	Foot Bracket/Base Bracket, Galvanized		1
10	SH-ZN	S-Hook, 3-1/4" overall length, zinc plate	2	
11	CA7-G	Clip Angle, 7" Mtg hole spacing, for 3 5/8" band hole spacing, galv		1



**EYEBOLT / S-HOOK INSTALLATION**

**Step 1**

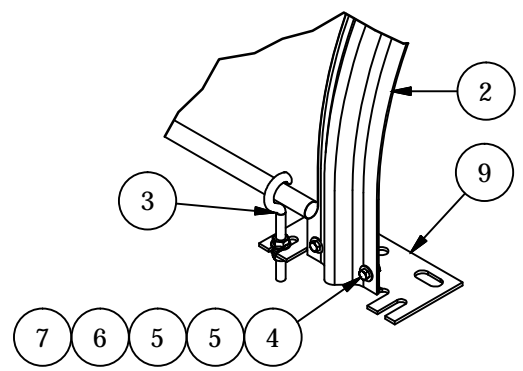
Slip eyebolt or S-hook loop over cover end roll.



**EYEBOLT / S-HOOK INSTALLATION**

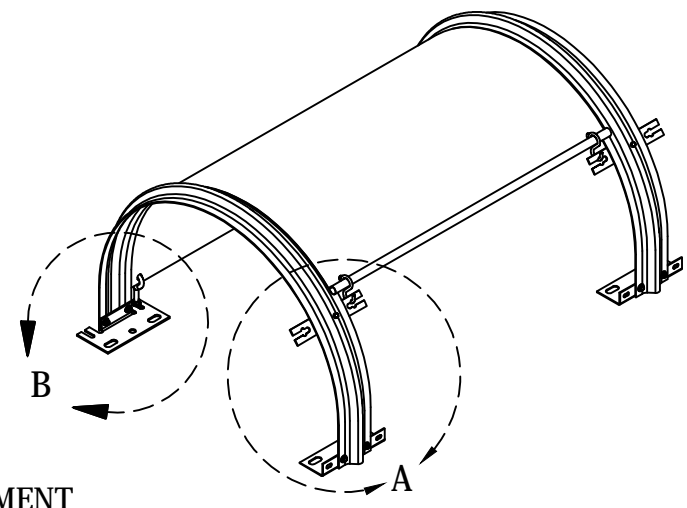
**Step 2**

Slide eyebolt or S-hook down to hole & rotate into position.

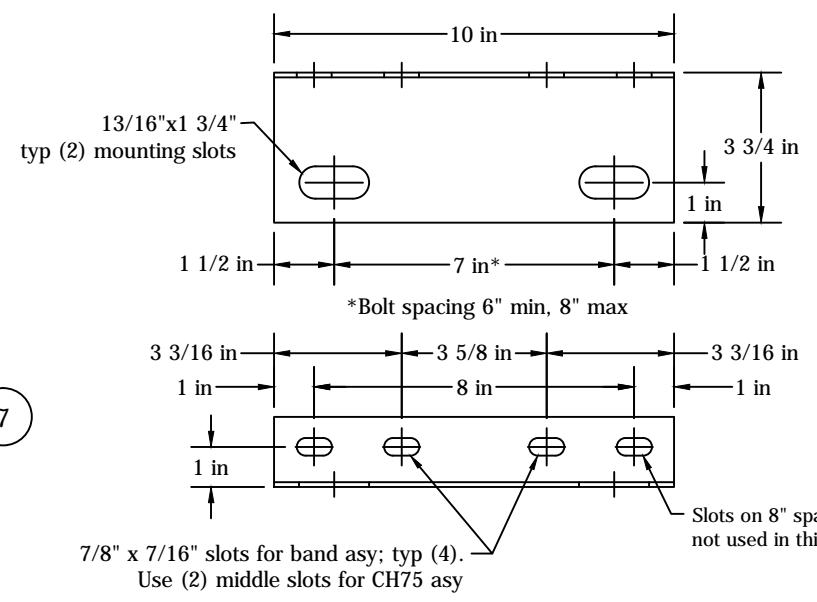


**DETAIL B  
REAR COVER ATTACHMENT**

Shown from rear for clarity

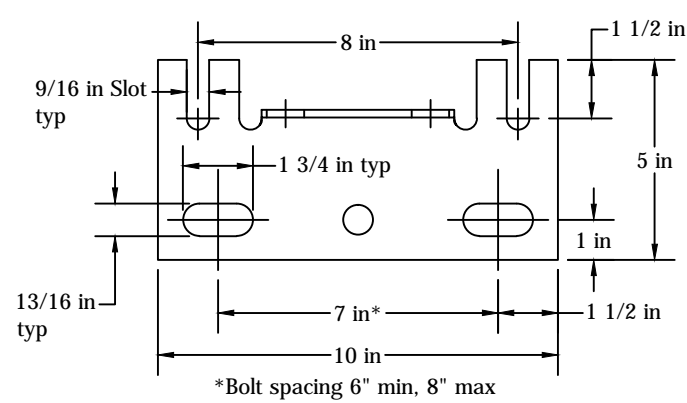
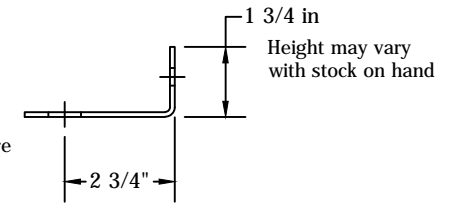


**DETAIL A  
FRONT COVER ATTACHMENT**



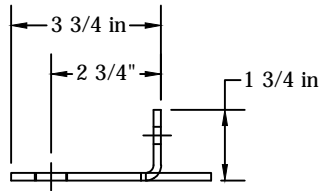
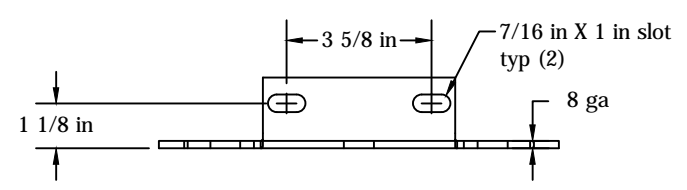
**CLIP ANGLE CA7-G**  
Material: 10 ga Galv Steel G90

**FOR FRONT OF BAND ONLY**



**FOOT BRACKET FB-G**  
Material: 8 ga Galv Steel G90

**FOR REAR OF BAND ONLY**



**INSTALLATION PROCEDURE**

1. Bolt foot brackets [9] in rear of support band [2]. Bolt clip angles [11] & retaining bar [8] in front of band, using 5/16" hardware [4-7].
2. Locate support band on conveyor frame at desired spacing.
3. Drill 11/16" dia. holes in conveyor frame to match foot brackets.
4. Bolt bands to conveyor with retaining bar on desired side. This 5/8" hardware is normally not furnished by RPS.
5. Position cover [1] over support bands, and attach to foot brackets with 1/2" eyebolts [3] in the rear and S-hooks [10] in front. See Eyebolt / S-hook Installation Details and Cover Attachment Detail.
6. Make sure bands are perpendicular to conveyor. Tighten all hardware.

CONV #

		1300 CRISPIN DRIVE ELGIN, IL 60123 847-931-1950	STANDARDS FOR TYPICAL CH75, FIXED 3/4 SMOOTH COVER ASSEMBLY
SCALE: NONE	PO No. -	DRAWN BY: DIANA B	
DATE: -	JOB No. -		
FOR: -			Note: All tolerances are ±1/16" unless noted.
JOB: -	DRAWING NO: -	SHEET: -	

**CONCEPT DRAWING ONLY!**

Note: It is the customer's (or customer's representative's) responsibility to check the compatibility between the cover opening and the conveyor idlers. RPS Engineering, Inc. can not be held responsible for errors that would lead to water on the belt or interference problems.

This print or drawing is the property of R.P.S. Engineering, Inc. and is confidential or proprietary information. It is not to be copied, reproduced, used or disclosed, in whole or part, unless in reference to contracts or proposals of this company. Nothing disclosed herein which is not publicly available may be used without written permission.